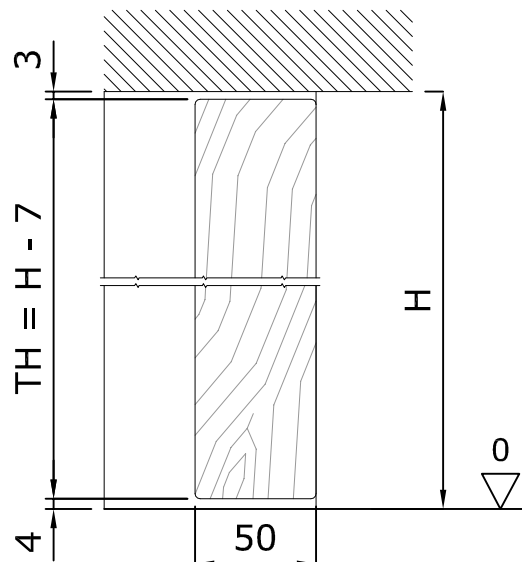
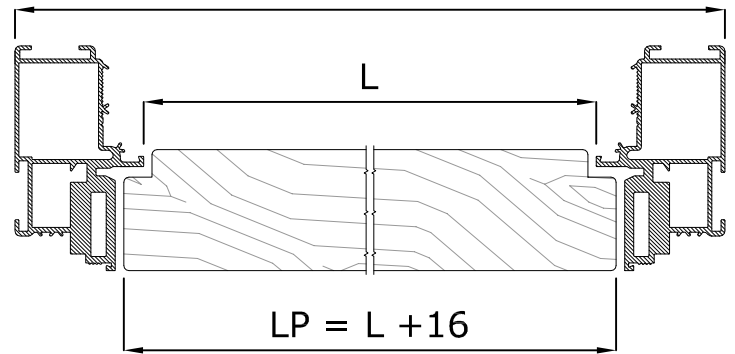
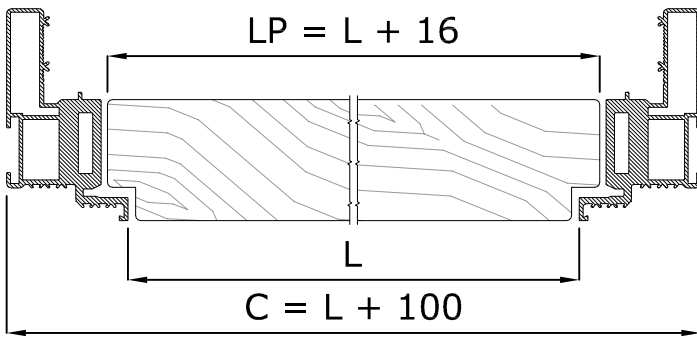
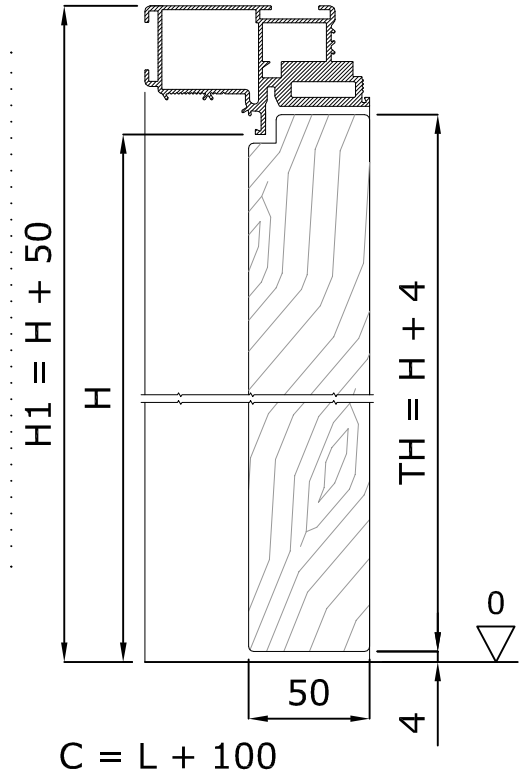
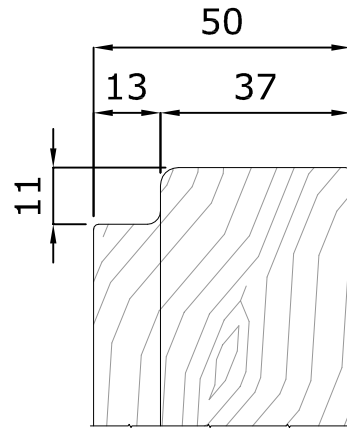
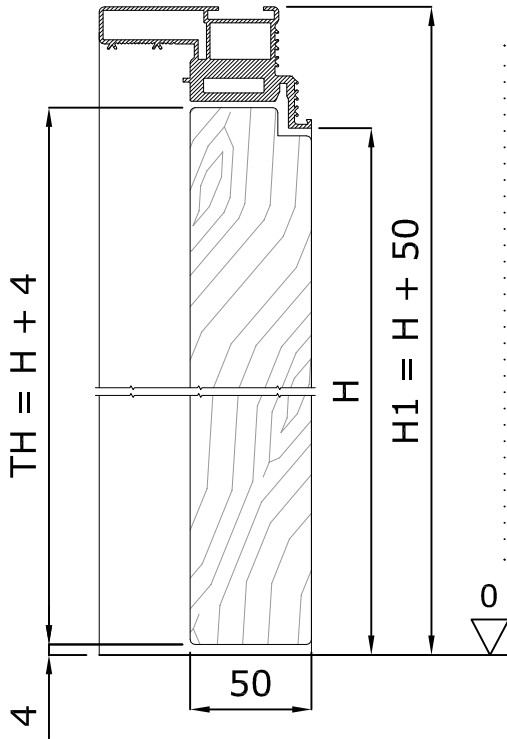
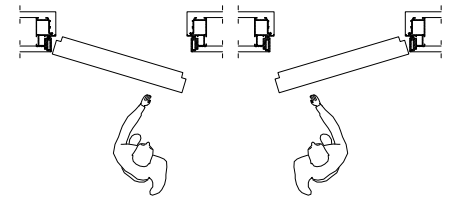
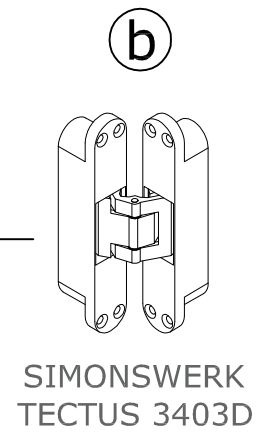
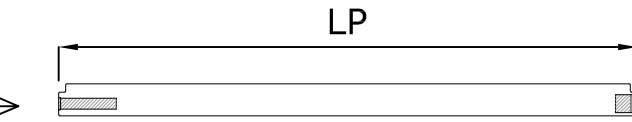
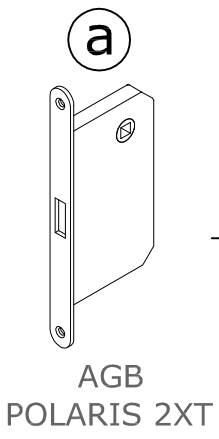


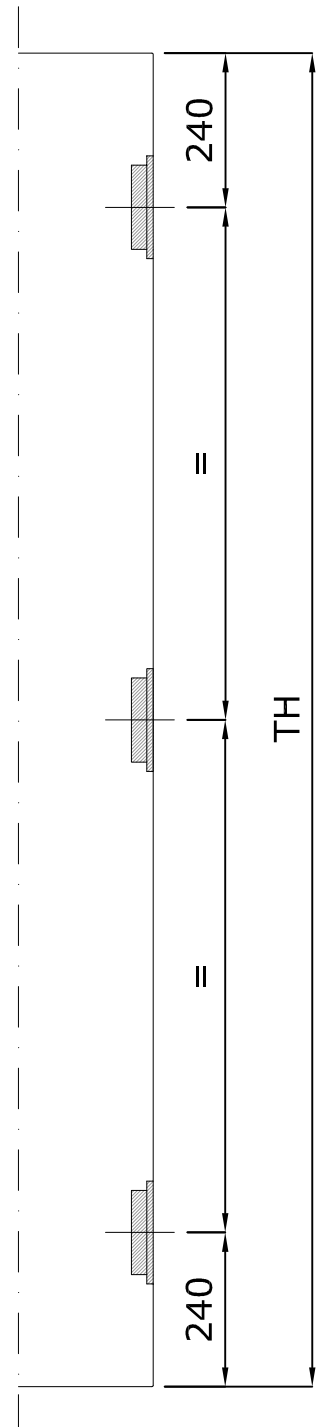
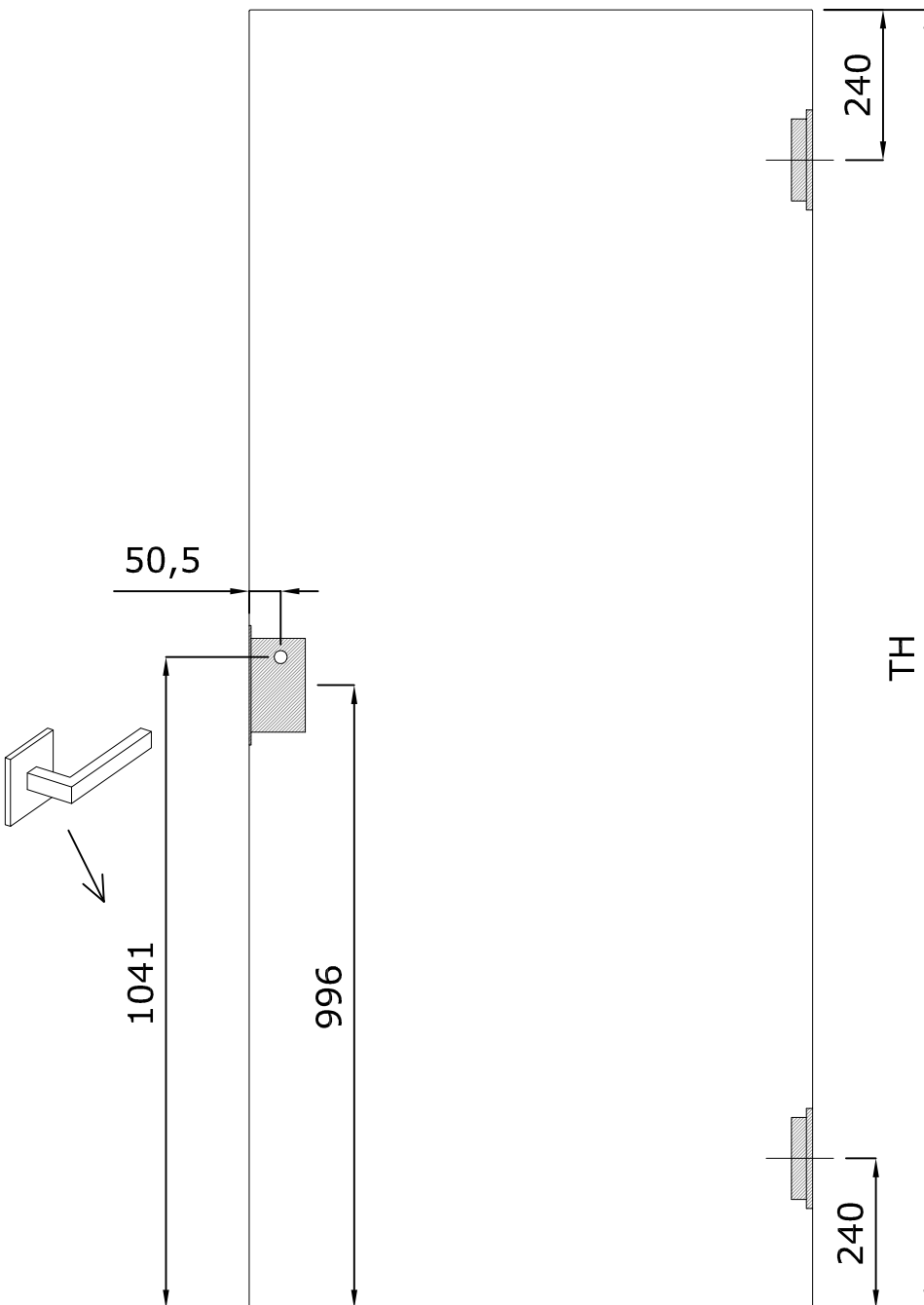
FUSION HINGED - DOOR PREP



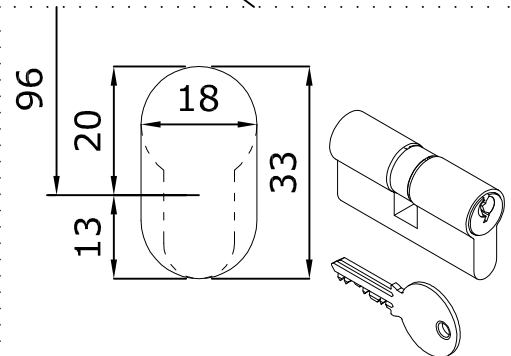
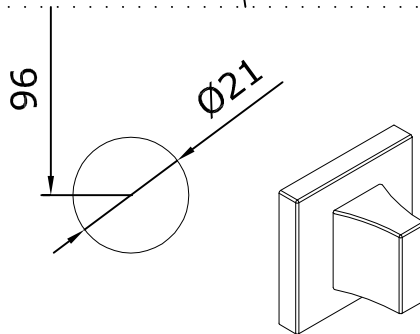
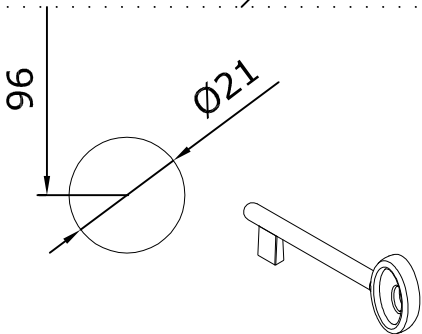
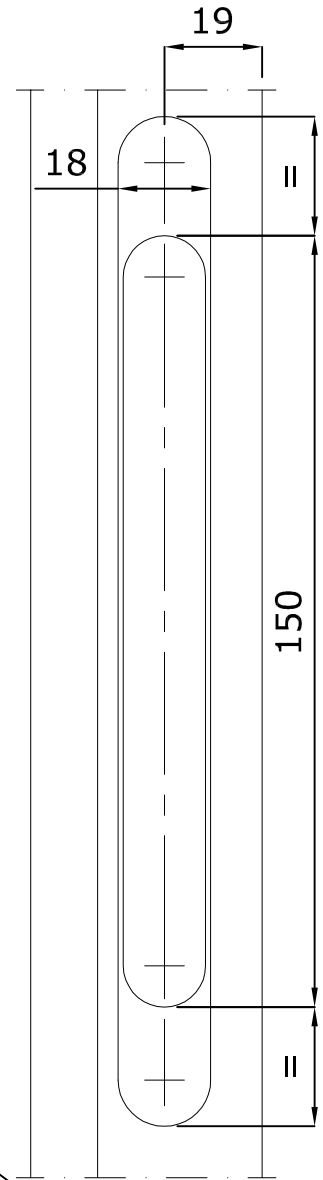
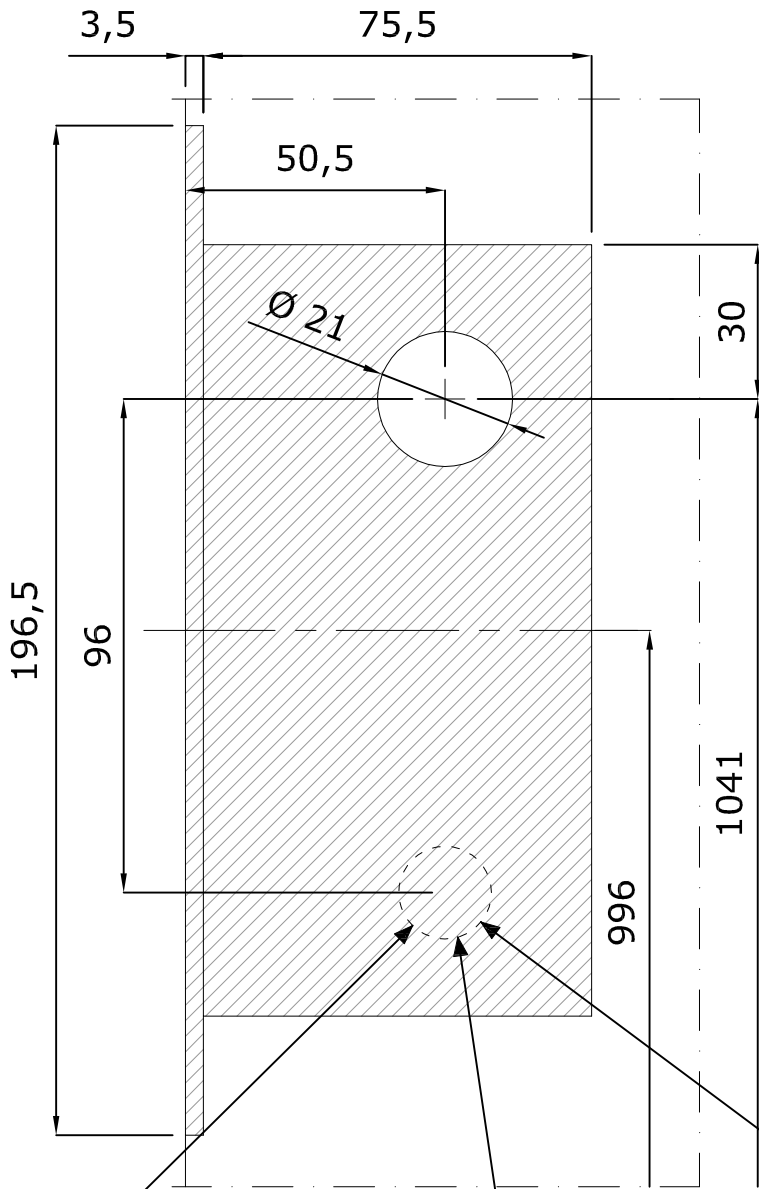
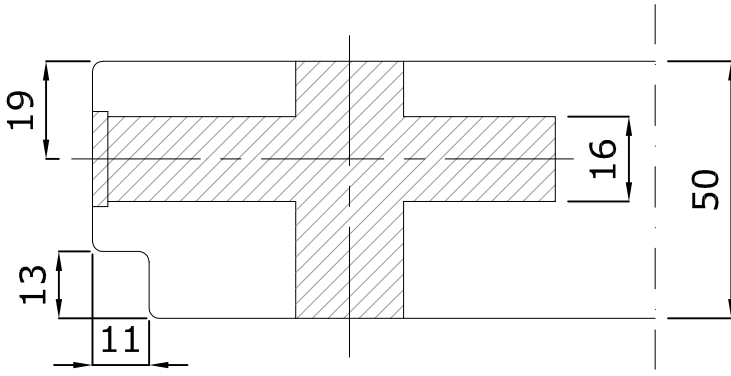
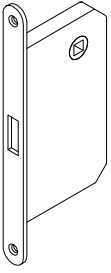


H: 2000 / 2100 / 2200

H: 2300 / 2400 / 2500
2600 / 2700



a



b

